



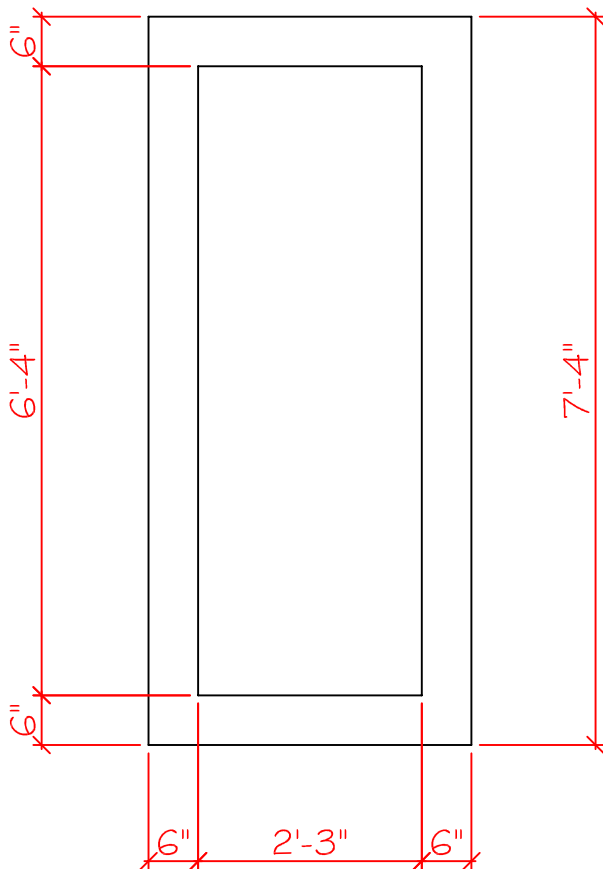
SPO# \_\_\_\_\_

CUSTOMER: \_\_\_\_\_

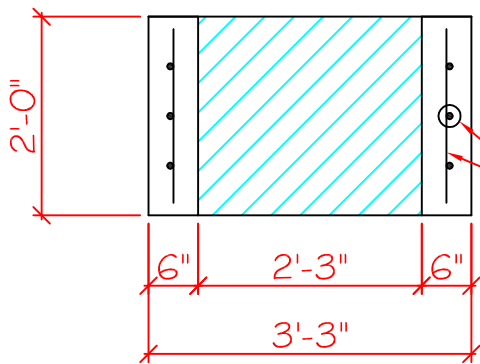
PROJECT: \_\_\_\_\_

TRANSFORMER PAD DETAILS

6'-4" x 2'-3" x 2'-0" SUB BOX



PLAN VIEW



#3 @ 6" O.C.  
EA. WAY

ELEVATION