



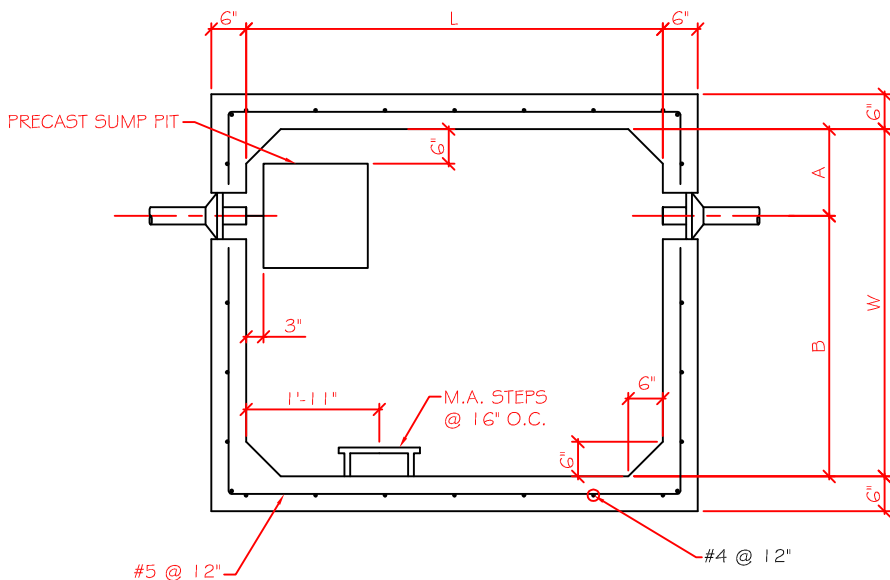
SPO# \_\_\_\_\_

CUSTOMER: \_\_\_\_\_

PROJECT: \_\_\_\_\_

DELAWARE METER PIT DETAILS

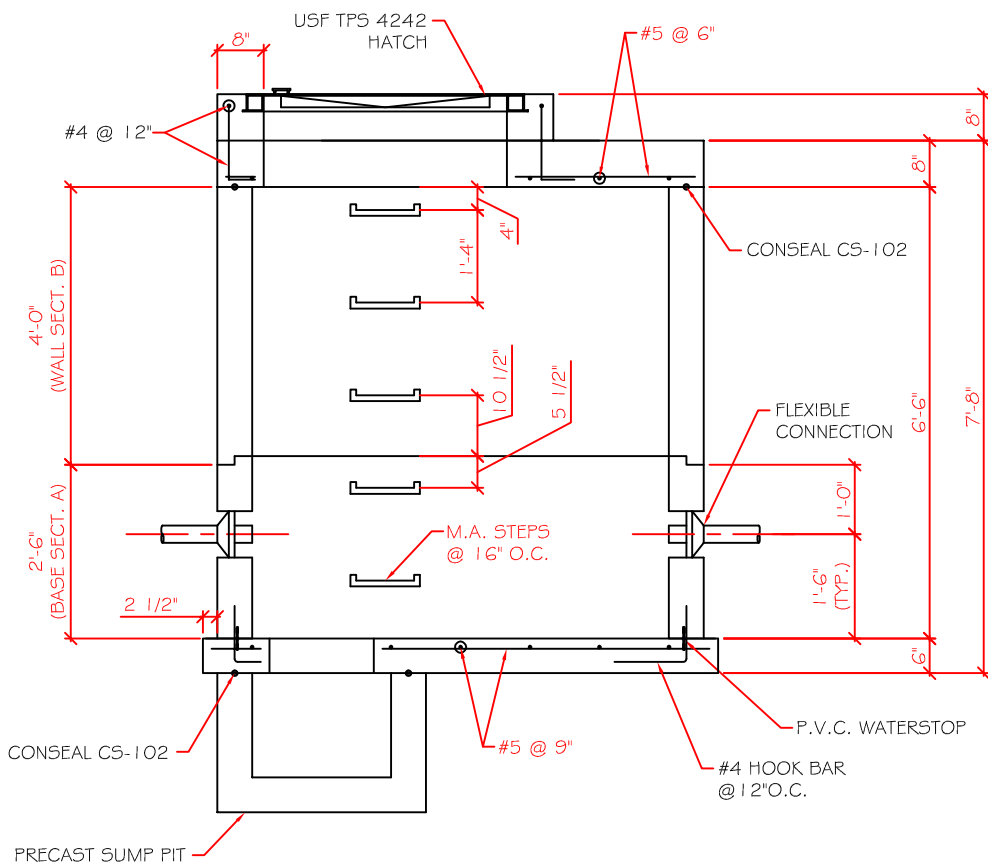
STD. DWG



PLAN VIEW

SIZE OF PIPE MAIN METER	INSIDE VAULT		MIN. WALL CLEARANCE	
	L	W	A	B
3"	6'-5"	6'-4"	3'-10"	2'-6"
4"	6'-5"	6'-6"	3'-11"	2'-7"
6"	7'-6"	7'-0"	4'-3"	2'-8"
8"	8'-0"	7'-6"	4'-9"	2'-9"
10"	9'-4"	8'-8"	5'-6"	3'-2"

REINFORCING WILL VARY IN  
GREATER SIZED PITS



ELEVATION