



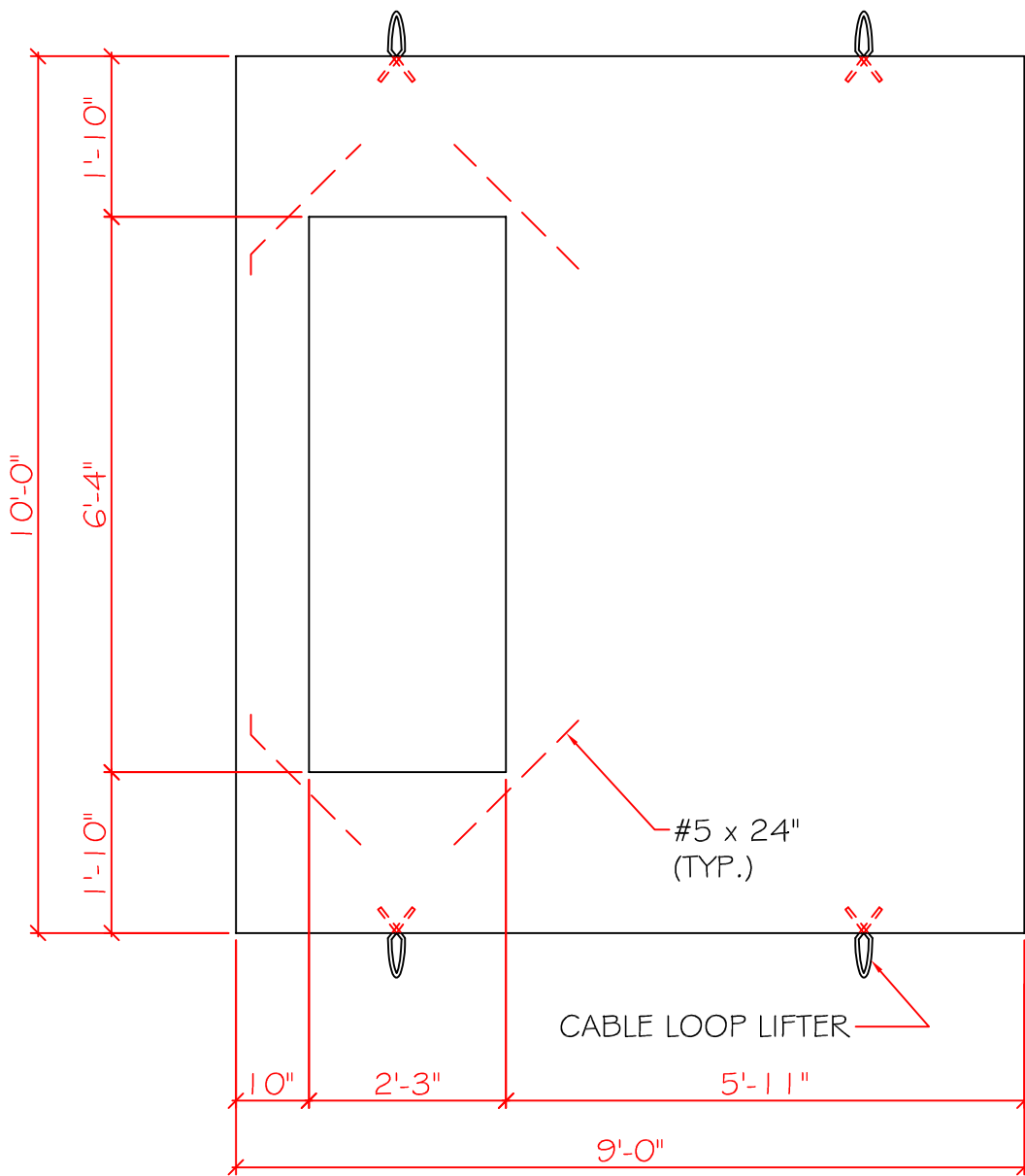
SPO# _____

CUSTOMER: _____

PROJECT: _____

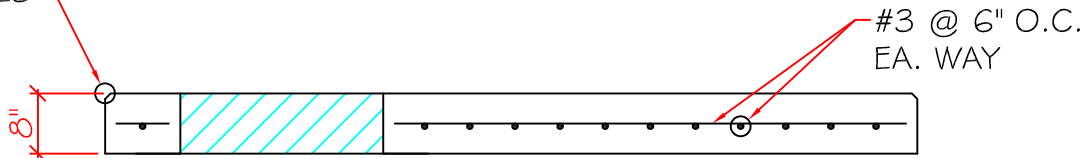
TRANSFORMER PAD DETAILS

9'-0" x 10'-0" x 8"



PLAN VIEW

TOOL OR
CHAMFER EDGES



ELEVATION

UNITED PRECAST INC.
P.O. BOX 991
MT. VERNON, OHIO 43050