



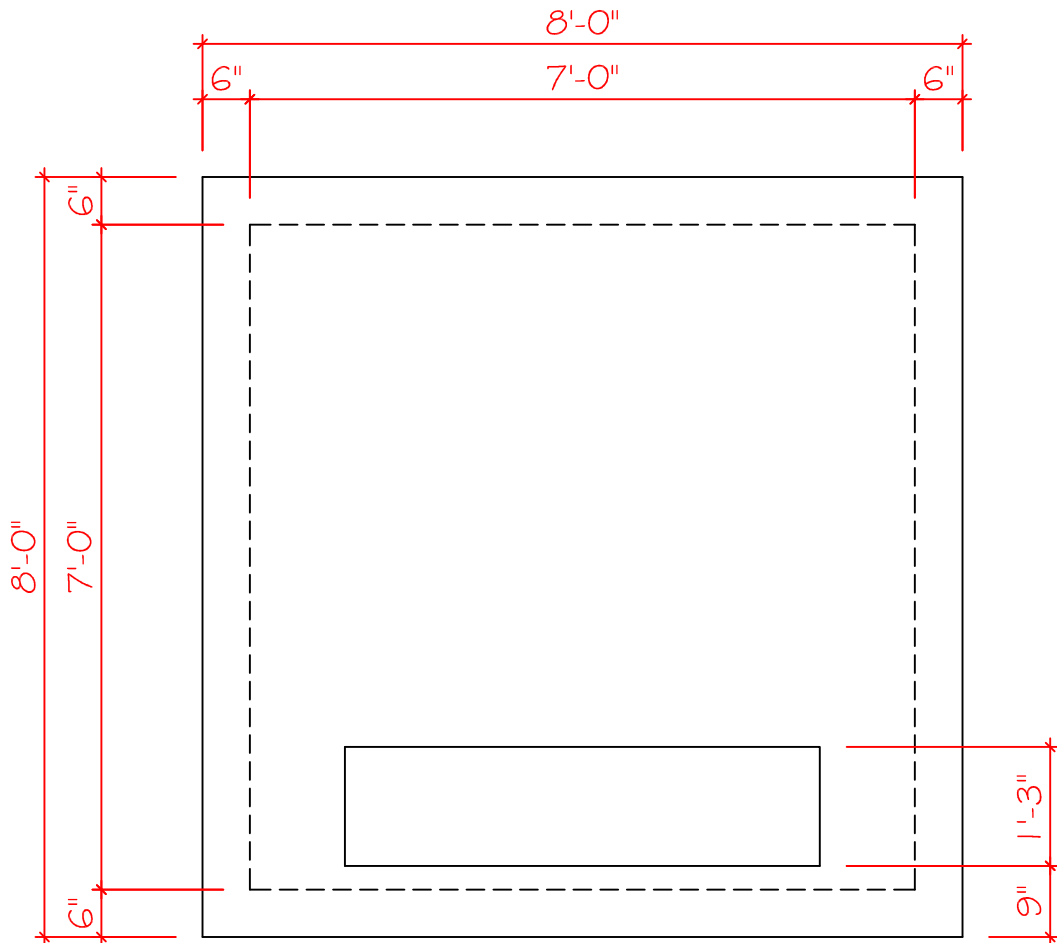
SPO# _____

CUSTOMER: _____

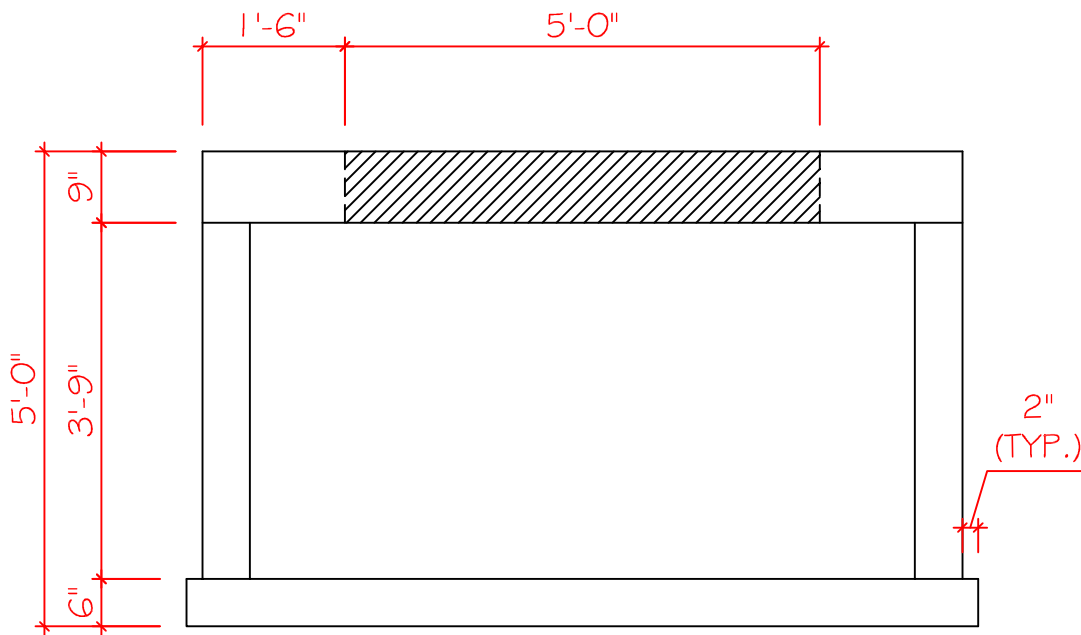
PROJECT: _____

FIRST ENERGY TRANS VAULT

1500 - 2500KVA (B)



PLAN VIEW



ELEVATION

UNITED PRECAST INC.
P.O. BOX 991
MT. VERNON, OHIO 43050