



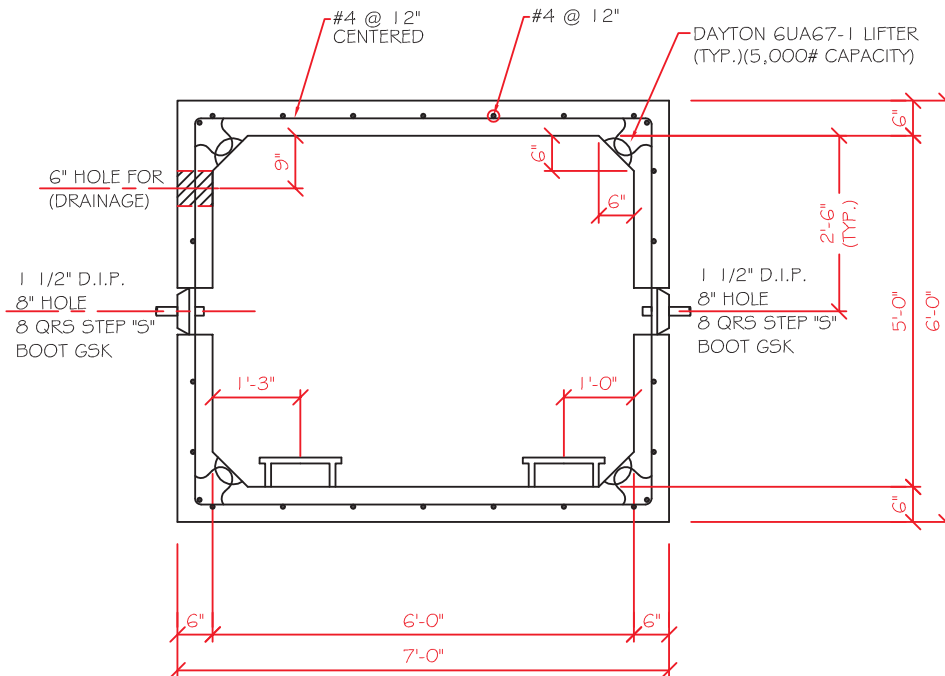
SPO# _____

CUSTOMER: _____

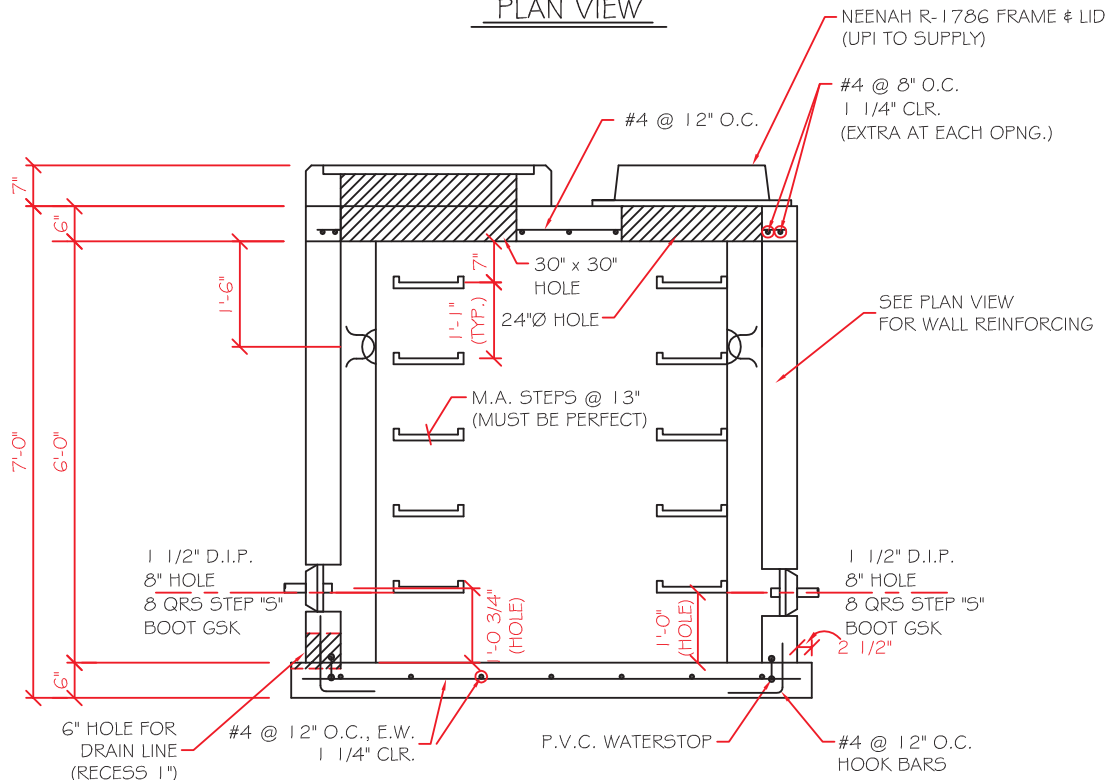
PROJECT: _____

C.O.C. METER PIT DETAILS

1 1/2"Ø METER PIT



PLAN VIEW



ELEVATION

UNITED PRECAST INC.
 P.O. BOX 991
 MT. VERNON, OHIO 43050