

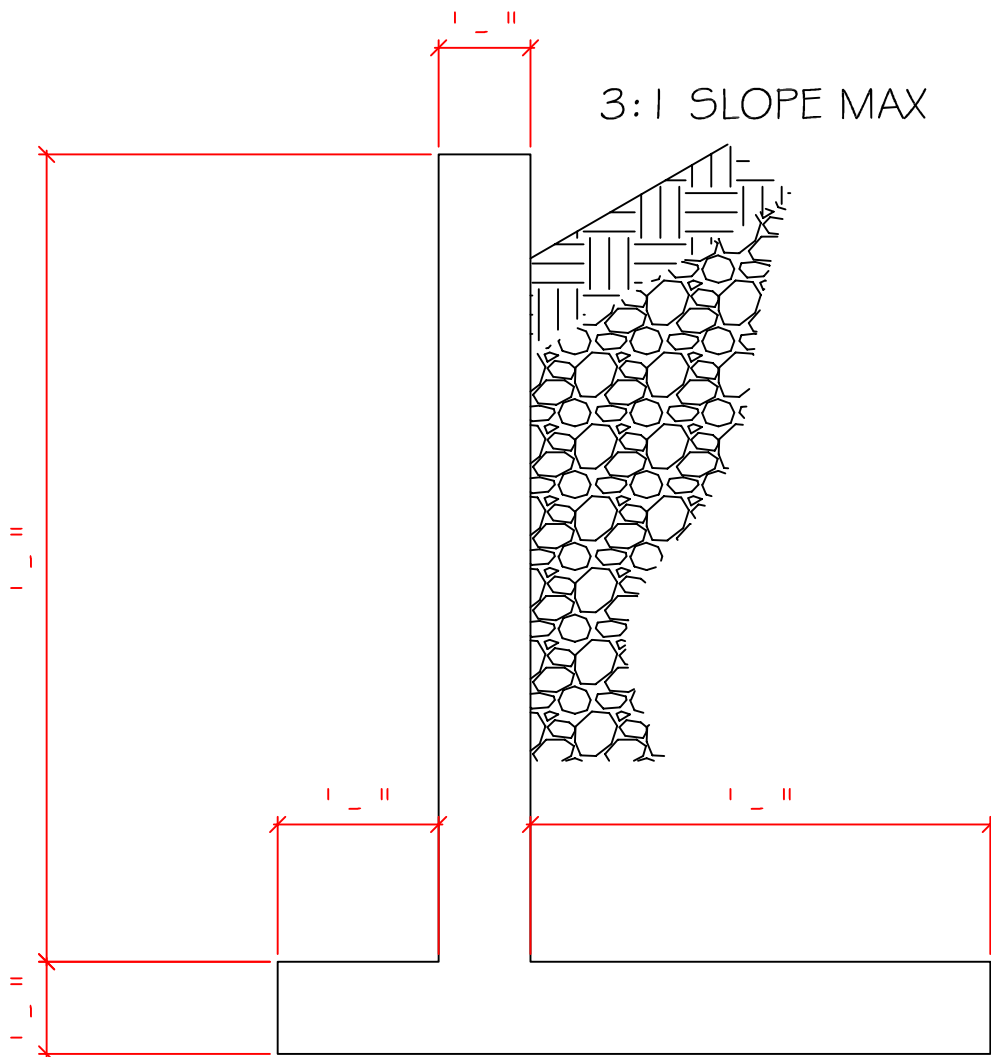


SPO# _____

CUSTOMER: _____

PROJECT: _____

T-STYLE WINGWALL



ELEVATION