

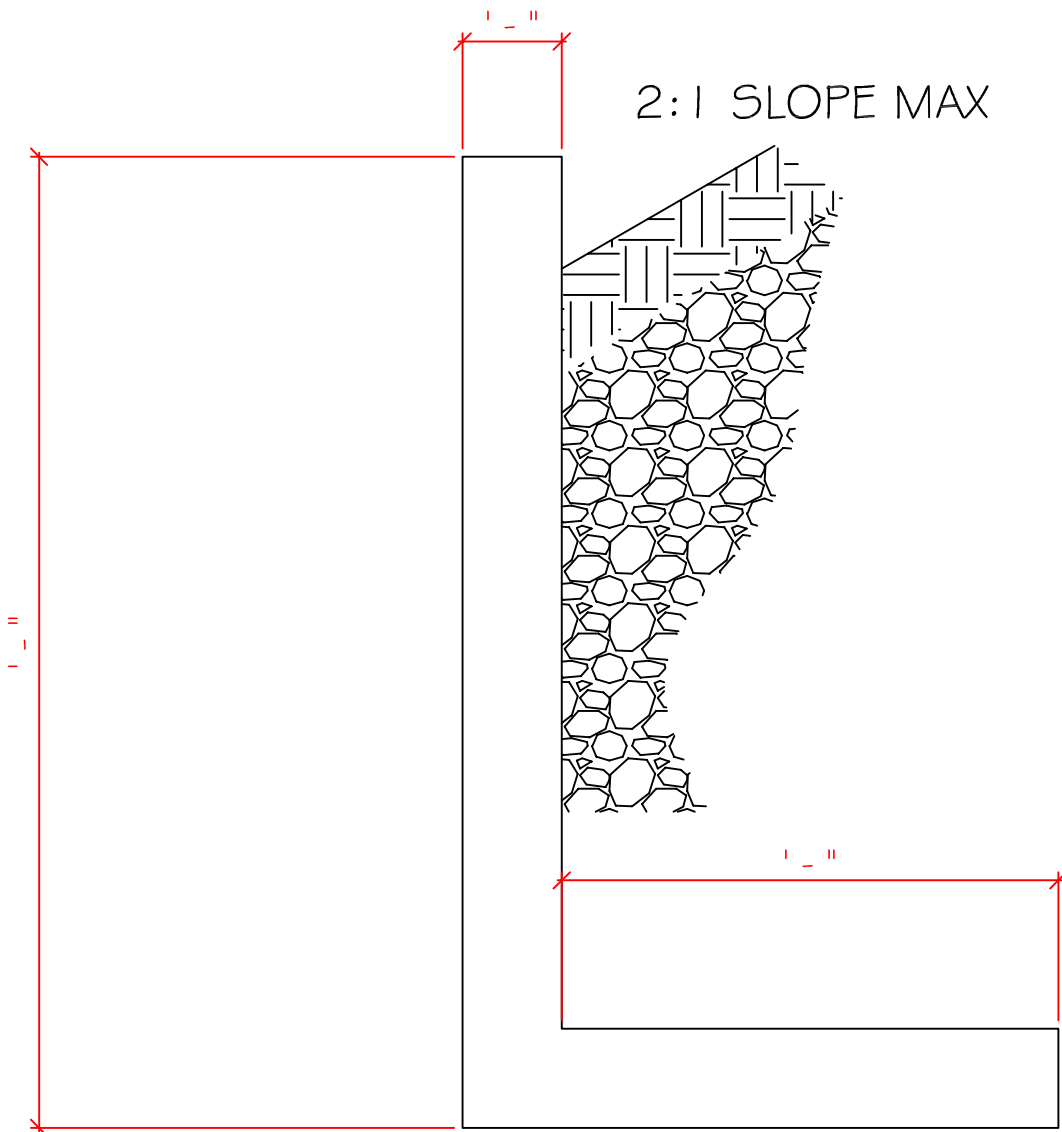


SPO# _____

CUSTOMER: _____

PROJECT: _____

L-STYLE WINGWALL



C.I.P. FOOTER

ELEVATION